



KROWN LAB

Sliding Door Hardware
Installation Instructions

Installation Instructions



KROWN LAB

Structural Information

For standard systems and most custom single door opening systems.



General Overview

- ▶ All Krown Lab sliding door hardware systems require the provided track fasteners be properly engaged in 3" of structural material. The wall or structure where your system will be mounted must be designed to support the weight specified for the system. See chart below.

System	Panel weight limit
BALDUR	400 lbs
ODEN	400 lbs
ROB ROY	150 lbs

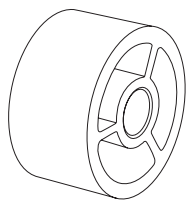
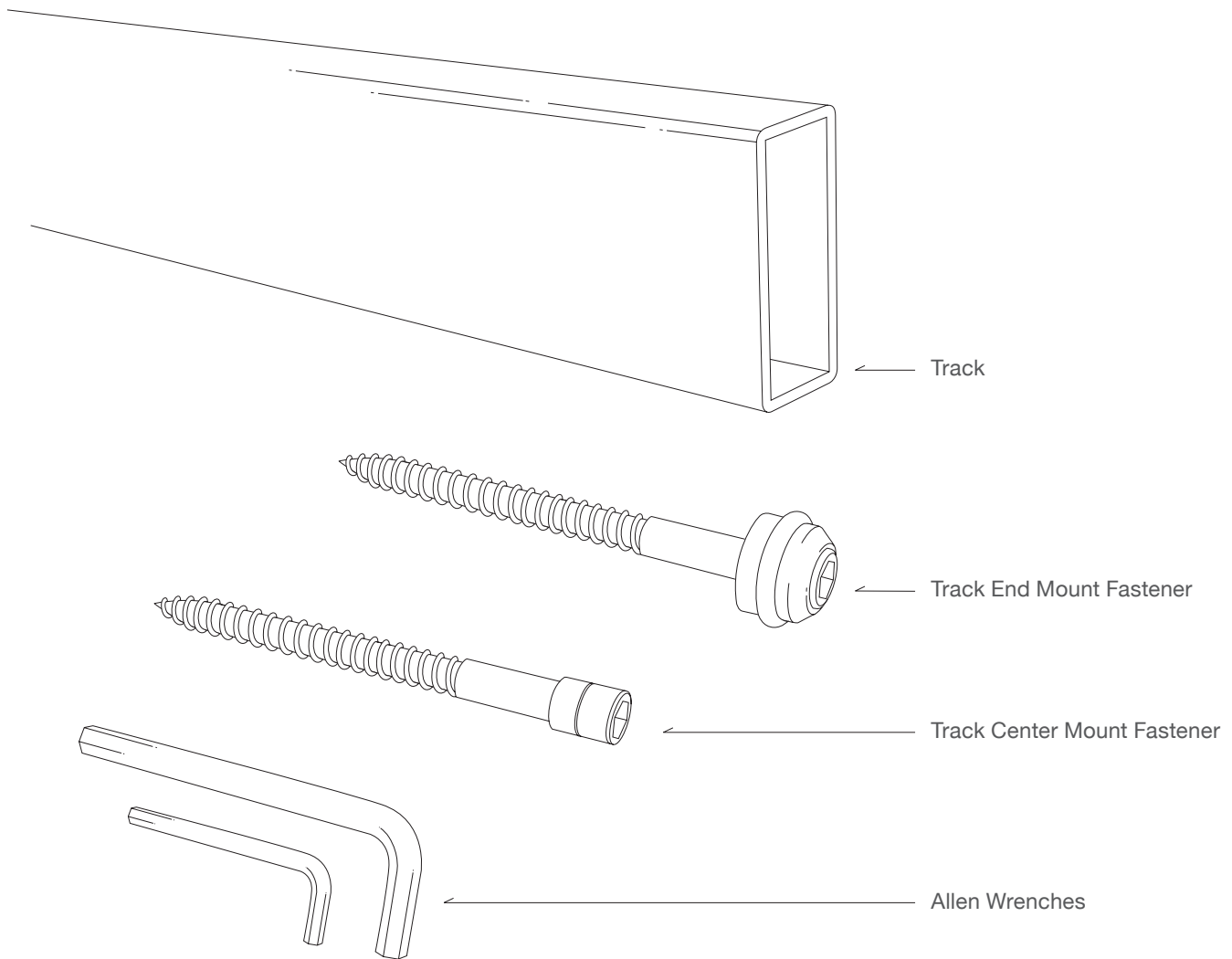
- ▶ Ensure that door panels are constructed with solid, structural material at the location of trolley attachments, bottom guide, and door pull(s) if used.
- ▶ Check with your contractor and/or local listings to confirm accordance with local building codes.
- ▶ For best results, and to ensure full compliance with local building codes and standards, seek qualified building professionals with a comprehensive understanding of relevant material properties and full building and site conditions.
- ▶ Refer to our Product Guide for product technical drawings and material care. Please review our Terms and Conditions before installing.

Track Hardware

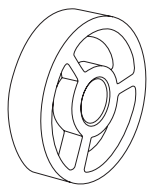


KROWN LAB

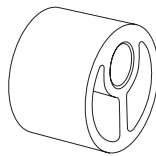
For standard systems and most custom single door opening systems.



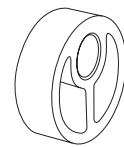
End Mount Spacer



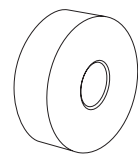
Optional End Mount Spacer



Center Mount Spacer



Optional Center Mount Spacer



Drywall Spacer Insert*

*Sold separately, for heavy doors.

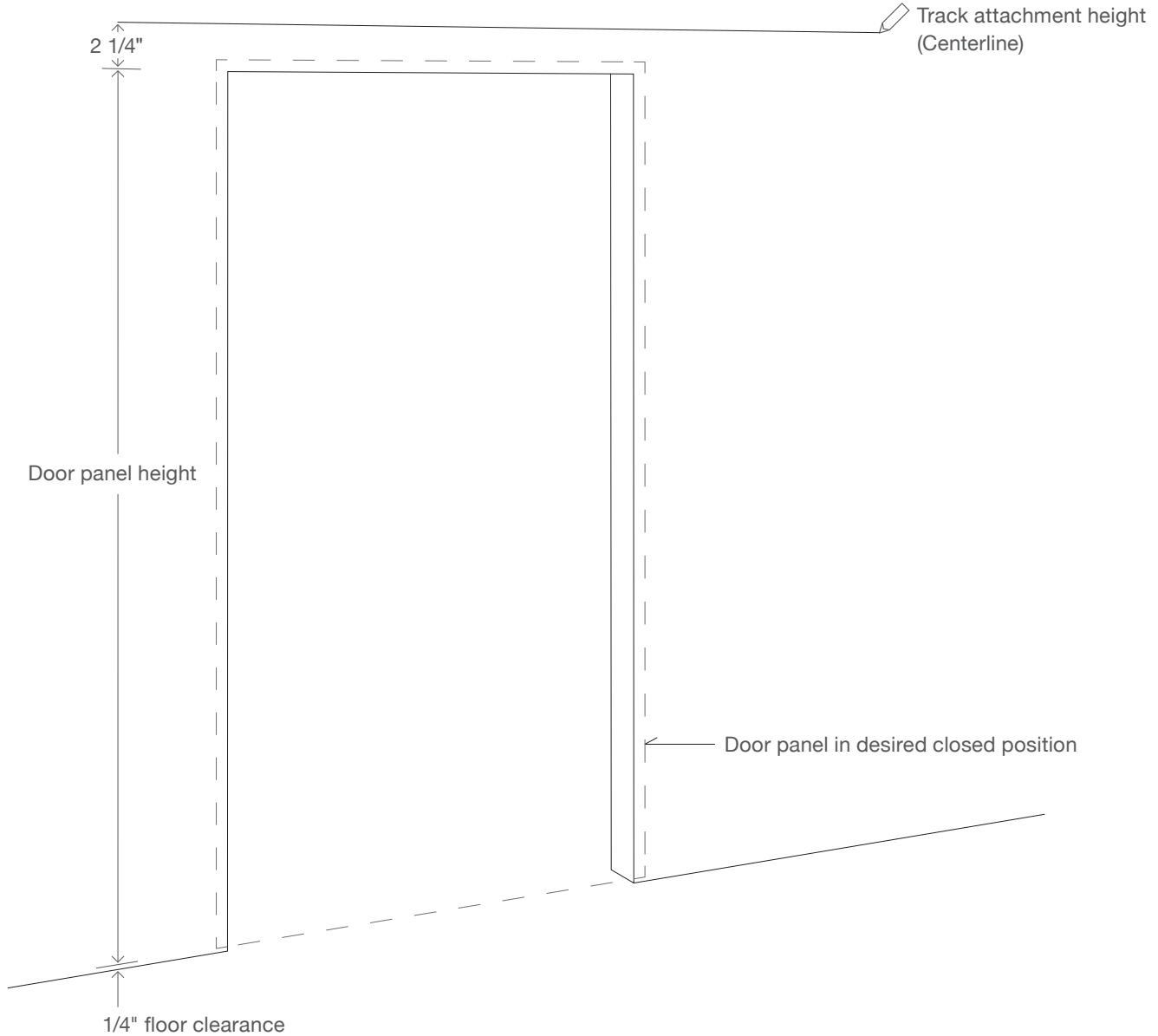
Track Installation



KROWN LAB

① Determine track height

For standard systems and most custom single door opening systems.



$$\text{Track attachment height} = \text{door panel height} + 2\text{-}1/2\text{''}^*$$

*If using Bottom Guide Track, add 5/8" to this dimension.

① Measure and mark the height of your track attachments using the equation above.

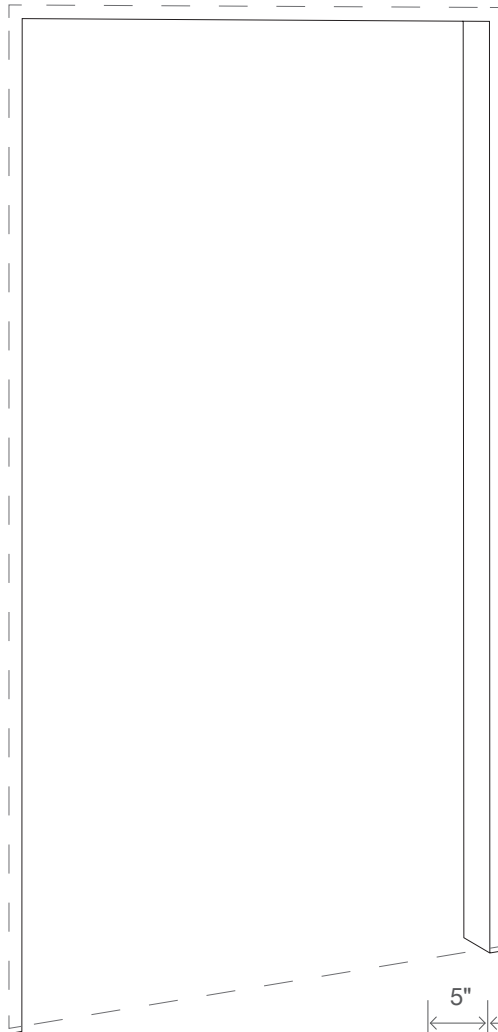
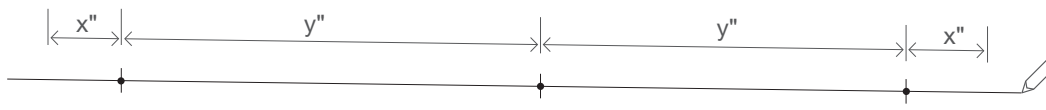
Track Installation



KROWN LAB

② Locate attachment points

Standard 70" track shown below.



Inset A - Drywall Spacer Insert*

- ① Drill out drywall for Drywall Spacer using 1-3/8" paddle bit or equivalent. Be careful not to drill into stud.

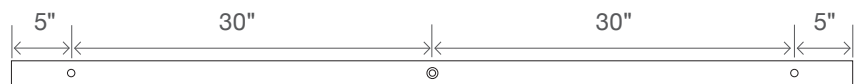
drywall pilot hole

- ② Place Drywall Spacer in hole, ensure spacer is flush with drywall surface.

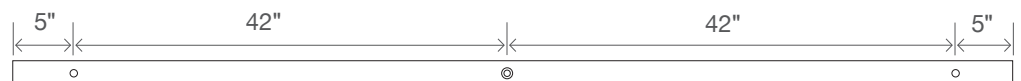
*Sold separately for heavy doors.

Door panel in desired closed position

Standard 70" track:



Standard 94" tracks:



- ① Measure and mark locations for all track attachment points, referencing the applicable track drawings above. For custom length tracks reference your approved custom drawing.
- ② Drill small pilot hole in marked locations.
- ③ If installing Drywall Spacer Inserts reference Inset A.
- ④ Drill full size pilot holes for track fasteners in pre-drilled locations.

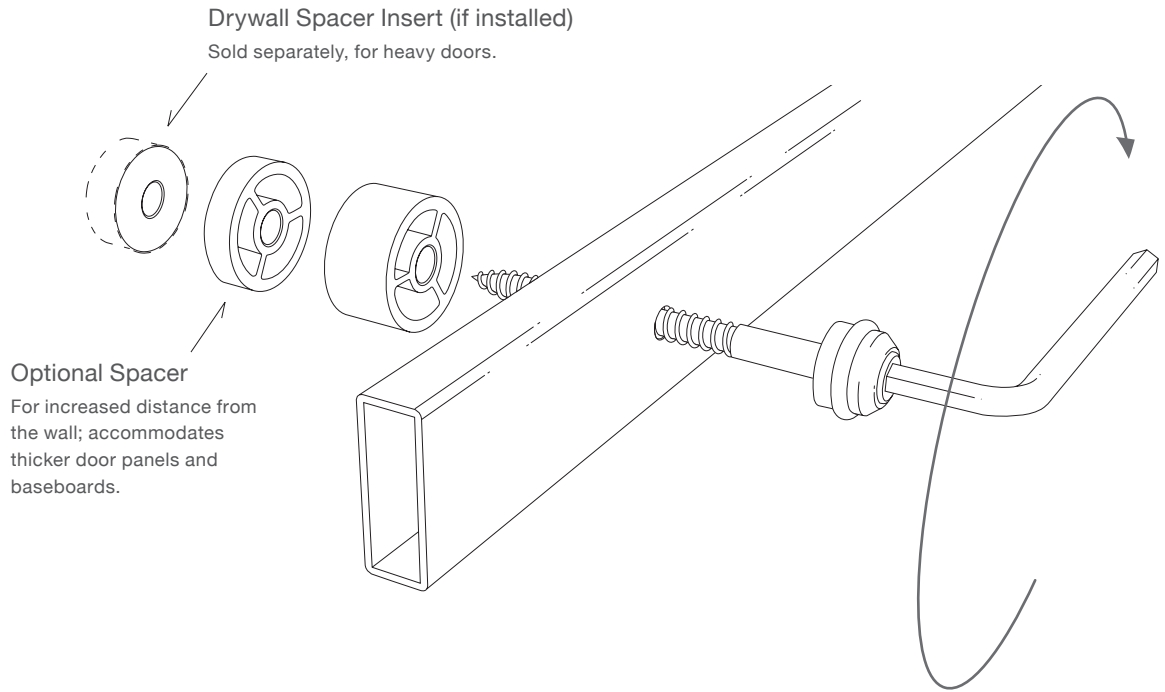
Track Installation



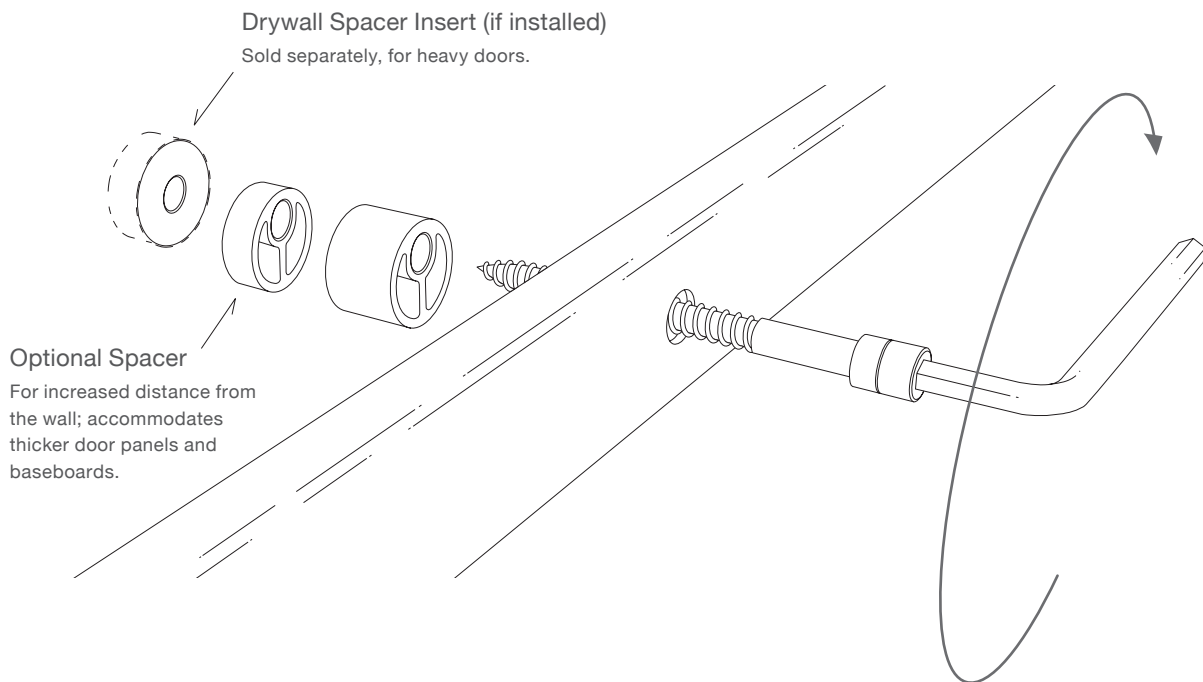
KROWN LAB

③ Mount track to wall

① Install both End Mounts



② Install Center Mount(s)

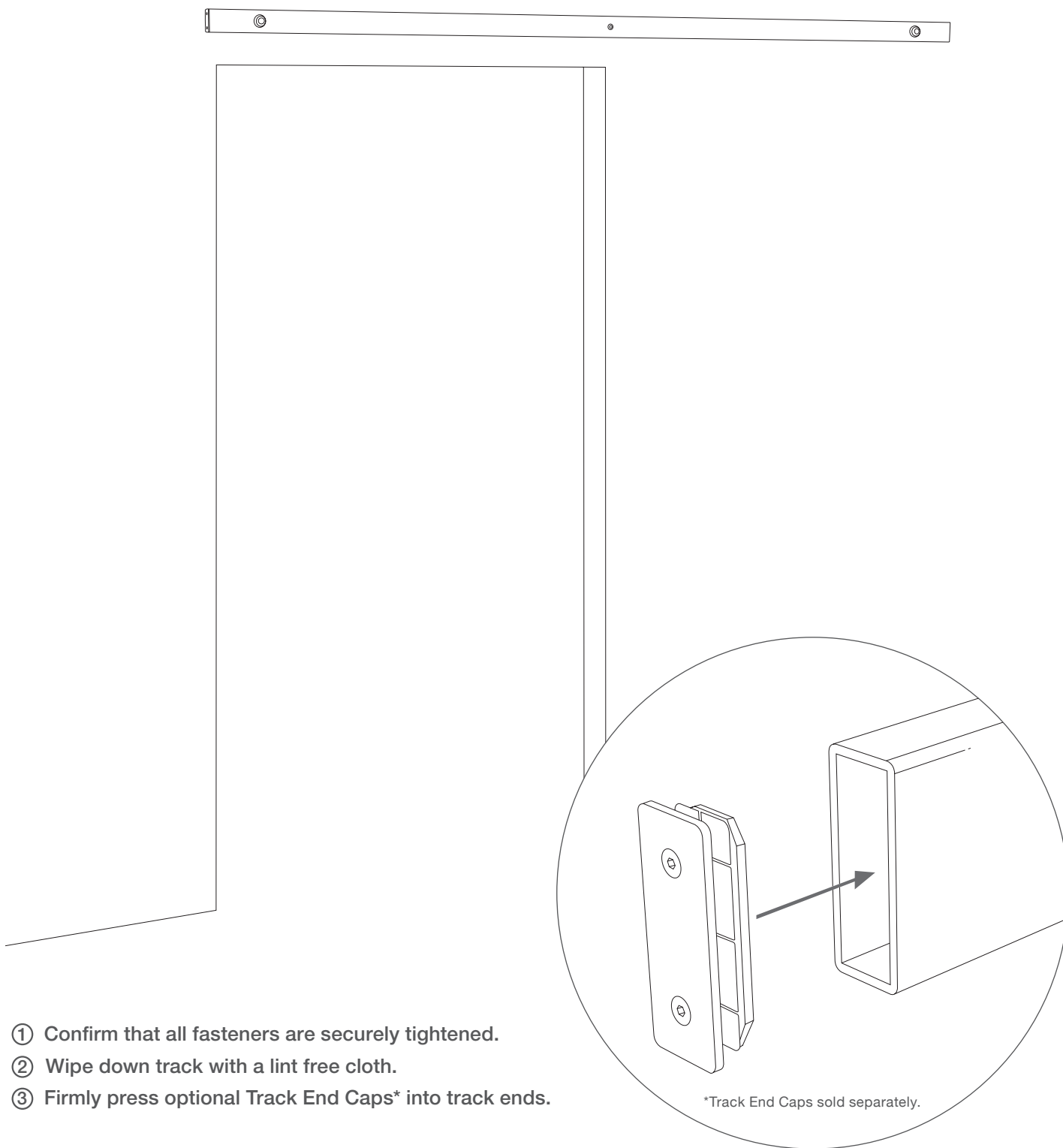


Track Installation



KROWN LAB

④ Finish track installation



Wood Panel Specifications

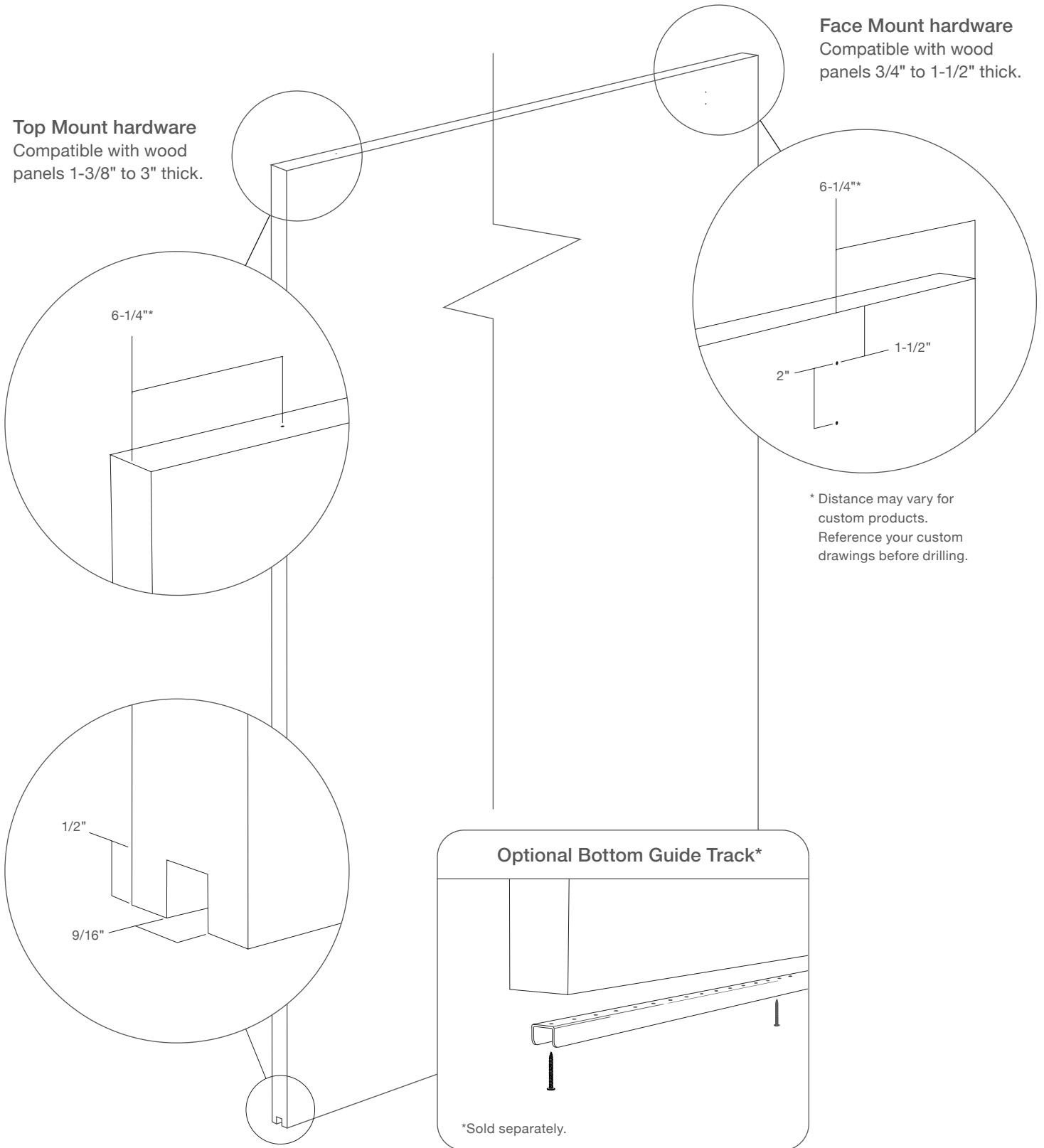


KROWN LAB

Drill hole locations

For standard systems and most custom single door opening systems.

► For Glass panels see page 12



Trolley Installation

Face Mounted wood panels



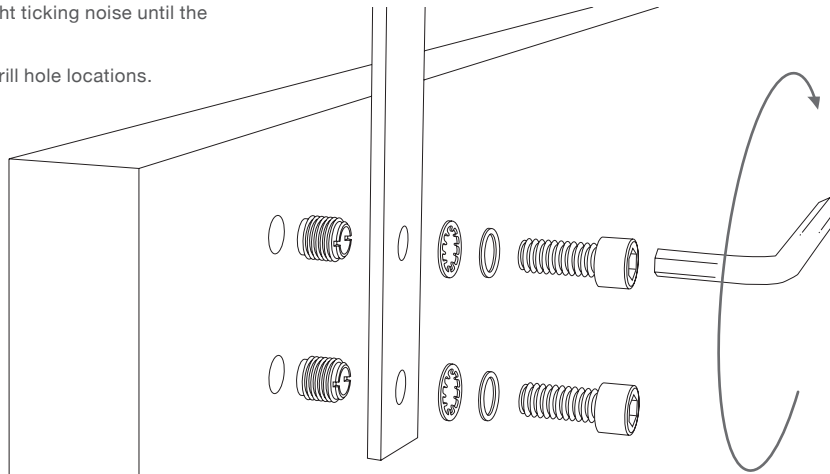
KROWN LAB

ROB ROY (Maximum panel thickness is 1-1/2")

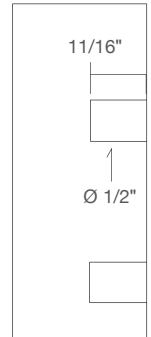
- ① Drill door panel according to section drawing.*
- ② Install threaded inserts flush with door panel.
- ③ Install trolleys and tighten fasteners.
- ④ Carefully hang door panel on track.

Bearings may initially make a slight ticking noise until the lubricant is evenly distributed.

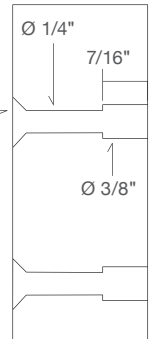
*Refer to page 7 for wood panel drill hole locations.



Panel section for:
ROB ROY



Panel section for:
BALDUR and ODEN



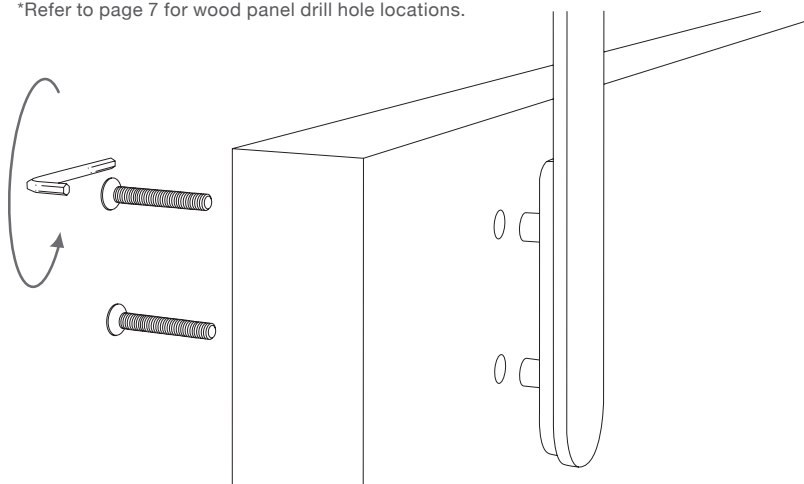
Countersink for
1/4-20 provided
fastener.

BALDUR & ODEN (Maximum panel thickness is 1-1/2")

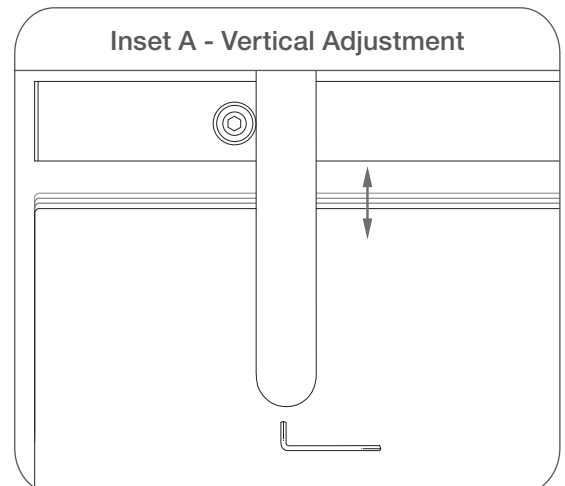
- ① Drill door panel according to section drawing.*
- ② Install trolley without tightening fasteners all the way. Use 1" fasteners for door panels from 3/4" to 1-1/8." Use 1-1/2" fasteners for door panels from 1-1/8" to 1-1/2."
- ③ Carefully hang door panel on track.
- ④ Adjust door panel vertically as needed, reference Inset A.
- ⑤ Tighten all fasteners.

Bearings may initially make a slight ticking noise until the lubricant is evenly distributed.

*Refer to page 7 for wood panel drill hole locations.



Inset A - Vertical Adjustment

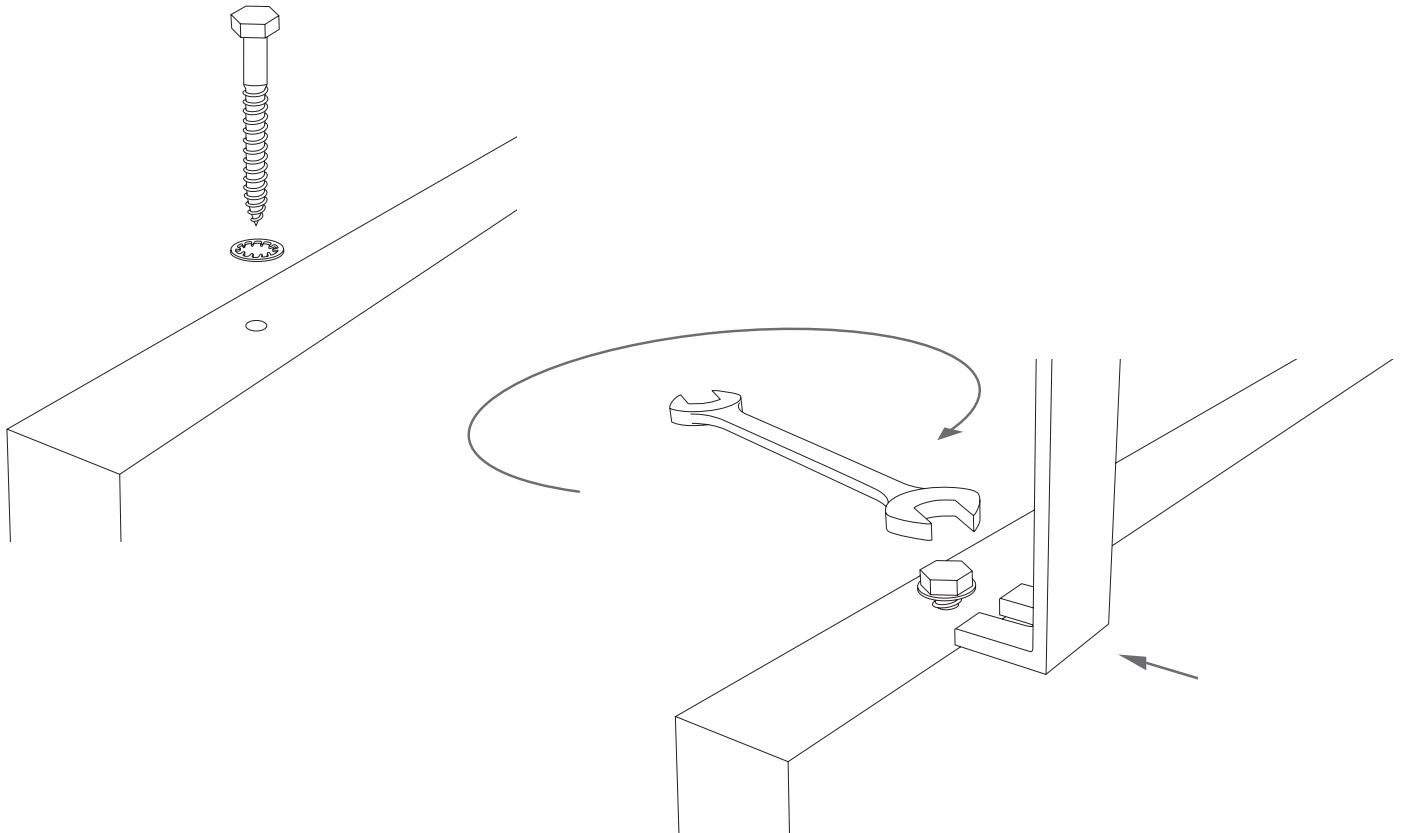


Trolley Installation

Top Mounted wood panels



KROWN LAB



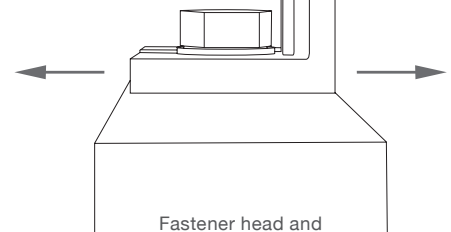
- ① Drill pilot hole for trolley fastener.*
- ② Partially install fastener.
- ③ Slide trolley into place as shown.
- ④ Confirm that the trolley is installed parallel with the door face for smooth operation.
- ⑤ Adjust trolley as needed, reference Inset A. Tighten fastener.
- ⑥ Carefully hang door panel on track.

Bearings may initially make a slight ticking noise until the lubricant is evenly distributed.

*Refer to page 7 for wood panel drill hole locations.

Inset A - Horizontal Adjustment

Adjust trolley to move panel further away or closer to the wall if desired.



Wood Panel Installation

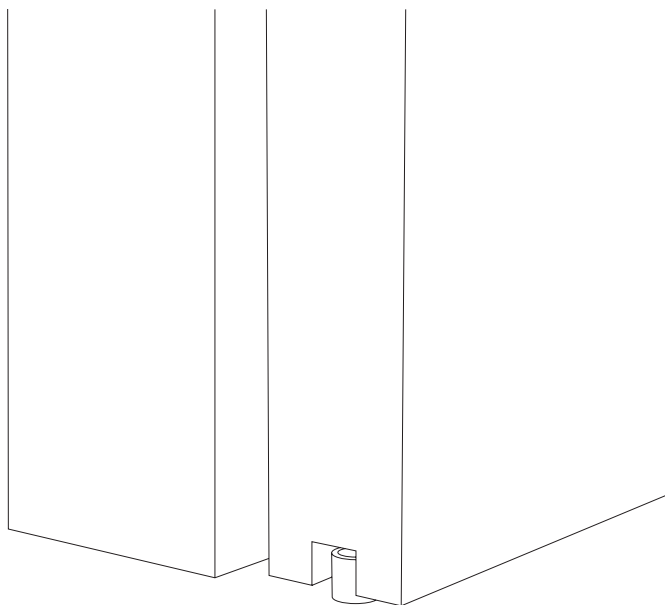
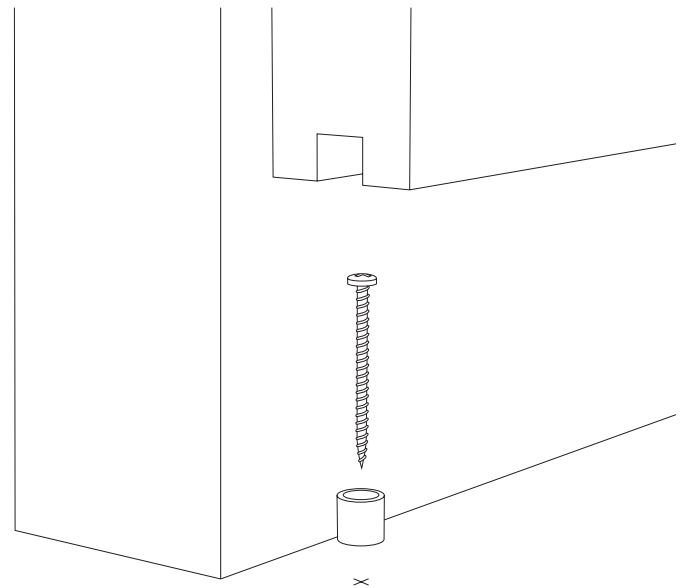


KROWN LAB

Routed Bottom Guide channel

Before proceeding to Final Steps, ensure bottom guide solution is implemented.
Door must not travel beyond Bottom Guide Post in either closed or open positions.

- ① Confirm that door panel hangs perfectly vertical, and mark position of Bottom Guide Post immediately adjacent to the door opening.
- ② Remove panel from track and fasten Post to floor.
- ③ Carefully re-hang door panel.



! Verify that the bottom guide post properly engages the door panel in both open and closed positions.

Wood Panel Installation



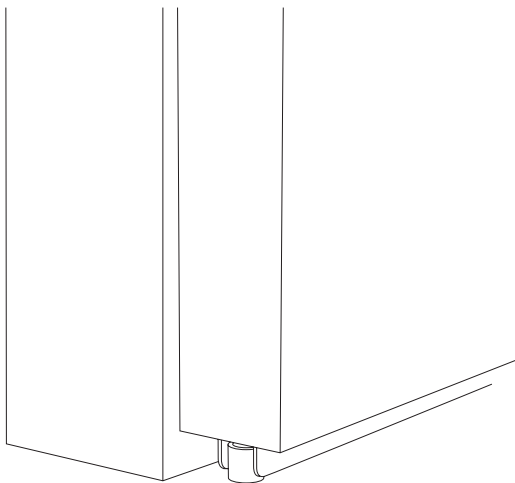
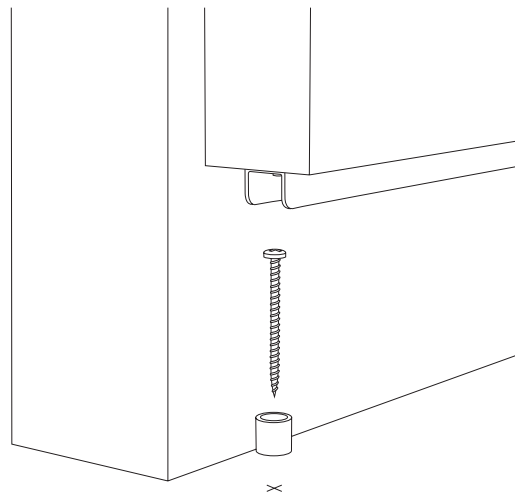
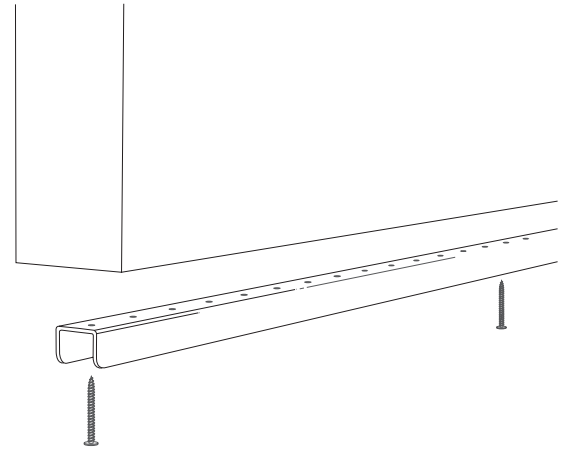
KROWN LAB

Optional Bottom Guide Track*

Before proceeding to Final Steps ensure bottom guide solution is implemented.
Door must not travel beyond Bottom Guide Post in either closed or open positions.

- ① Attach Bottom Guide Track to bottom of door panel.
- ② Ensure that door panel hangs perfectly vertical, and mark position of Bottom Guide Post immediately adjacent to the door opening.
- ③ Remove panel from track and fasten Post to floor.
- ④ Carefully re-hang door panel.

*Sold separately, for wood doors only.



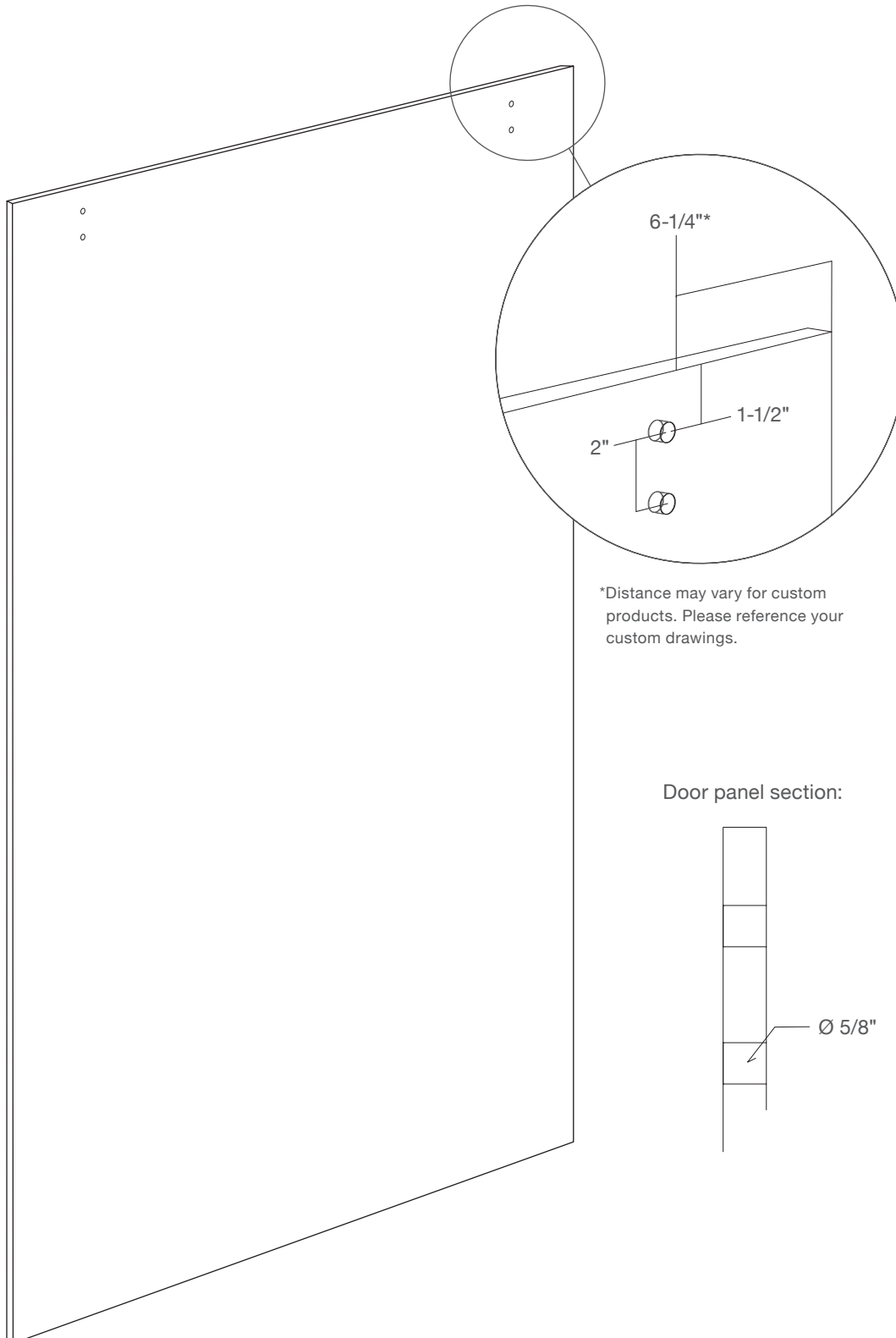
Glass Panel Specifications



KROWN LAB

Drill hole locations and size

For standard systems and most custom single door opening systems.



Trolley Installation



KROWN LAB

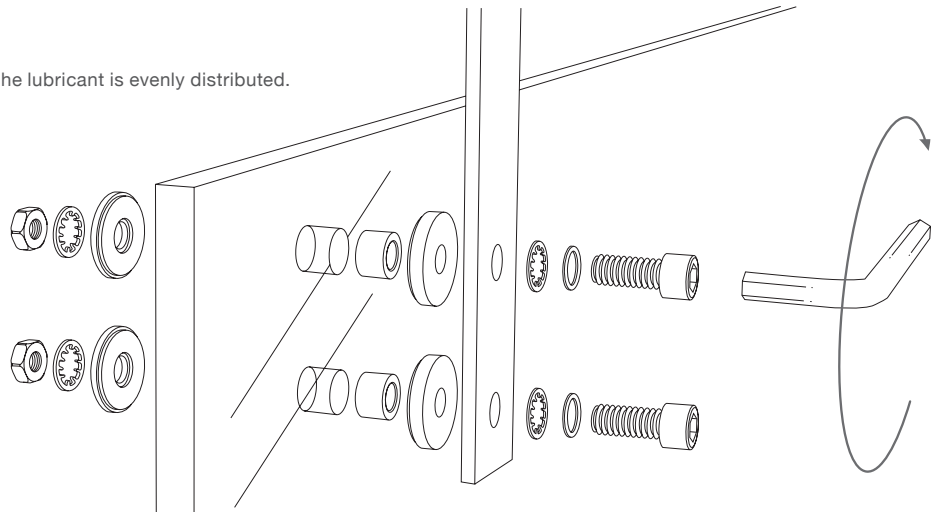
Glass and resin panels

ROB ROY Glass Mount (Maximum panel thickness is 3/4")

- ① Insert rubber bushings into holes in door panel.*
- ② Install trolleys with rubber side of washer facing door panel, ensuring that thick washer is facing trolley. Use 1-1/2" fasteners for door panels 3/8" to 1/2" thick. Use 2" fasteners for door panels 9/16" to 3/4" thick.
- ③ Tighten fasteners.
- ④ Carefully hang door panel on track.

Bearings may initially make a slight ticking noise until the lubricant is evenly distributed.

*Refer to page 12 for glass panel drill hole locations.

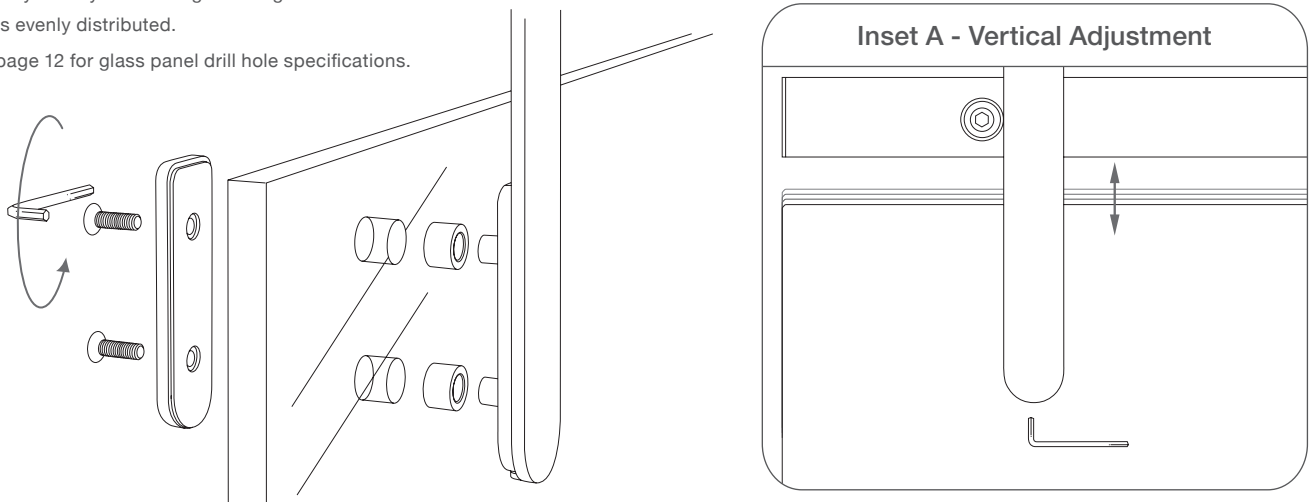


BALDUR & ODEN Glass Mount (Maximum panel thickness is 3/4")

- ① Press rubber bushings onto trolley bosses.
- ② Install trolleys, with rubber side of washer plate facing door panel,* without tightening fasteners all the way. Use 3/4" fasteners for door panels 3/8" to 1/2" thick. Use 1" fasteners for door panels 9/16" to 3/4" thick.
- ③ Carefully hang door panel on track.
- ④ Adjust door panel vertically as needed, reference Inset A.
- ⑤ Tighten all fasteners.

Bearings may initially make a slight ticking noise until the lubricant is evenly distributed.

*Refer to page 12 for glass panel drill hole specifications.



Glass Panel Installation

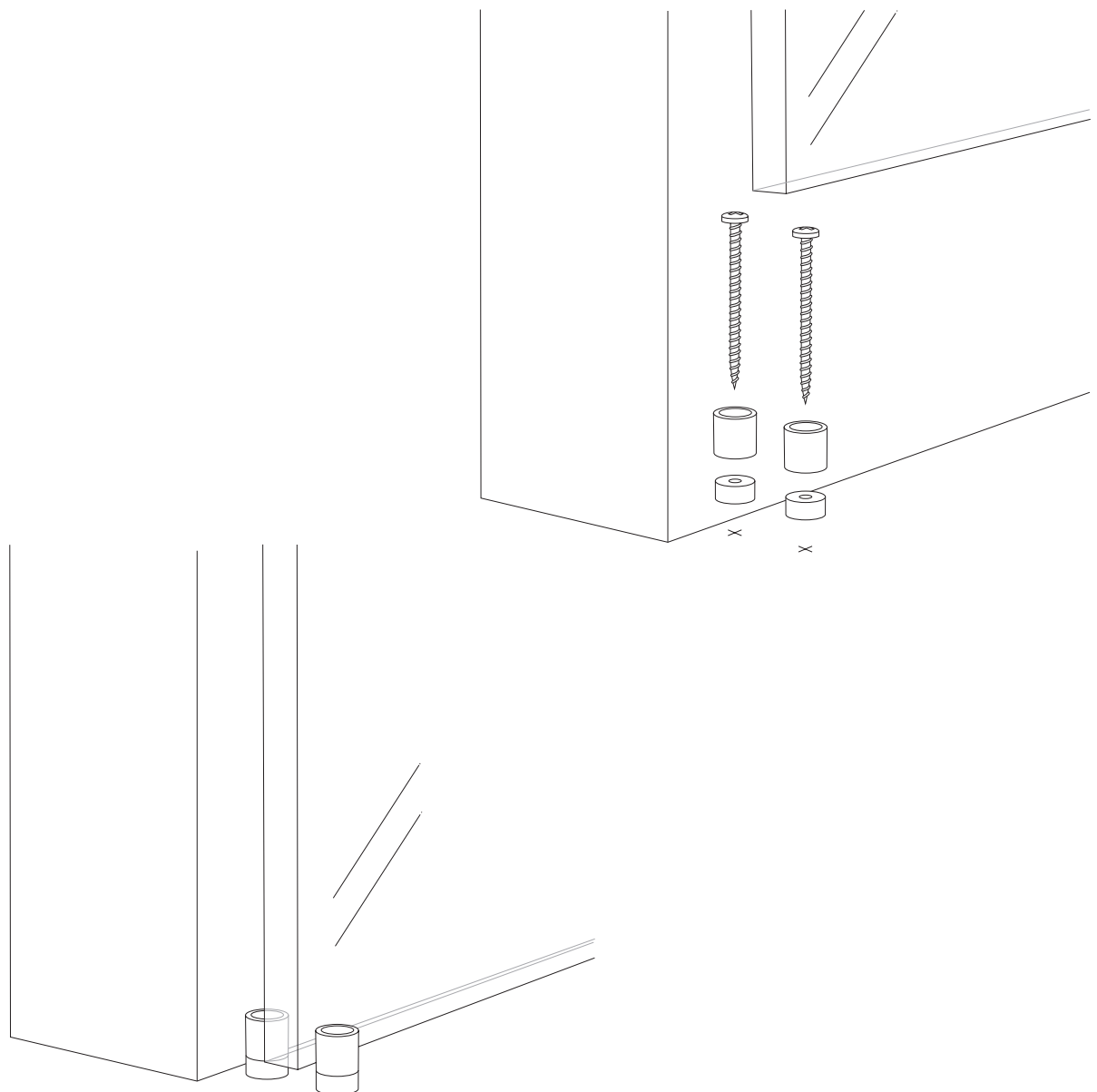


KROWN LAB

Bottom Guide Glass Posts

Before proceeding to Final Steps ensure bottom guide solution is implemented.
Door must not travel beyond Bottom Guide Posts in either closed or open positions.

- ① Ensure that door panel hangs perfectly vertical, and mark position of Bottom Guide Posts immediately adjacent to the door opening.
- ② Remove door panel from track and fasten Posts to floor.
- ③ Carefully re-hang door panel.



Final Steps

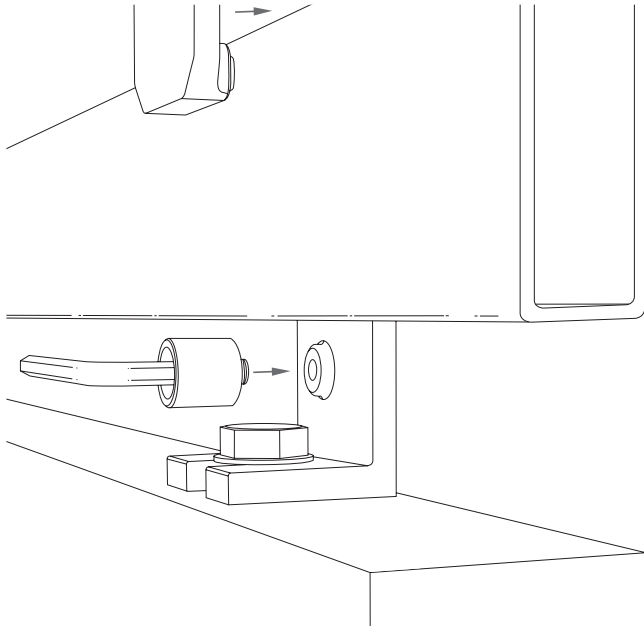
For all products



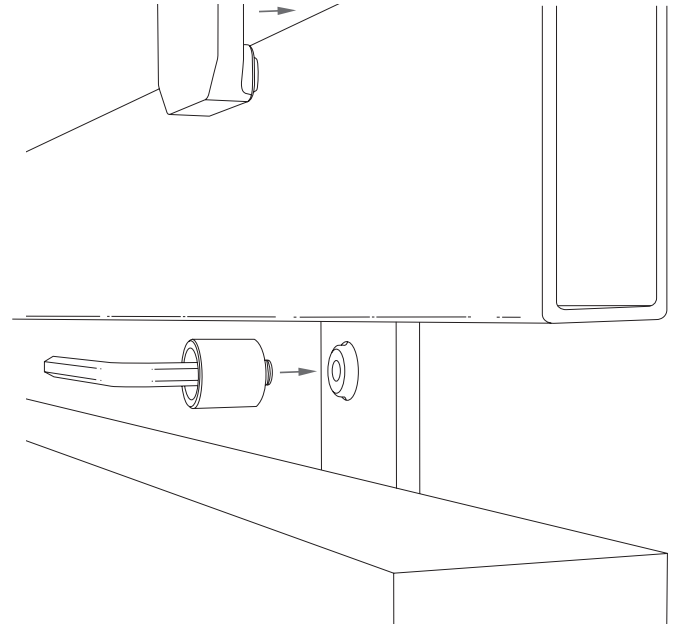
KROWN LAB

- ① Thread security mount into bracket by hand.
- ② Tighten screw with the provided allen wrench.

Top Mount

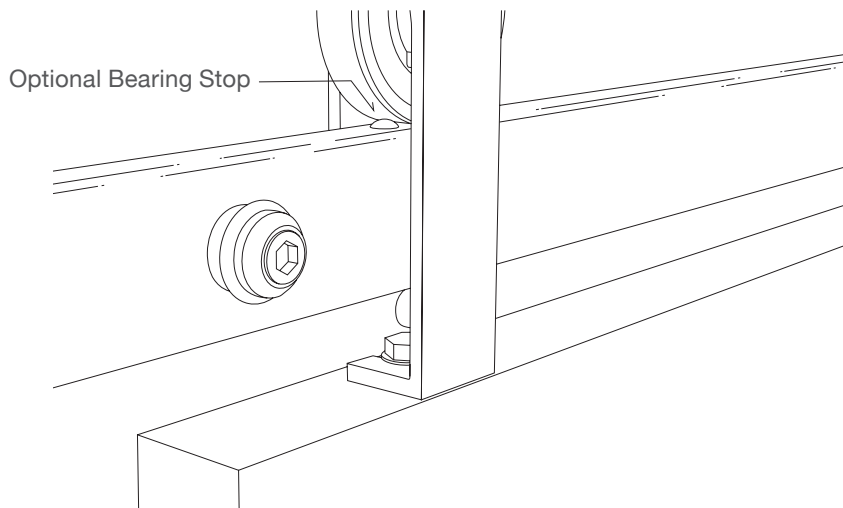


Face Mount



- ③ Install Optional Bearing Stop* on top edge of track if you desire the panel to stop short of the end of the track.

*Compatible with ODEN and ROB ROY only.



Enjoy!

Thank you for purchasing Krown Lab sliding door hardware! All of our packaging materials are recyclable. For product care, reference our Product Guide; downloadable at krownlab.com. Share your experience and send photos of your install to customerservice@krownlab.com