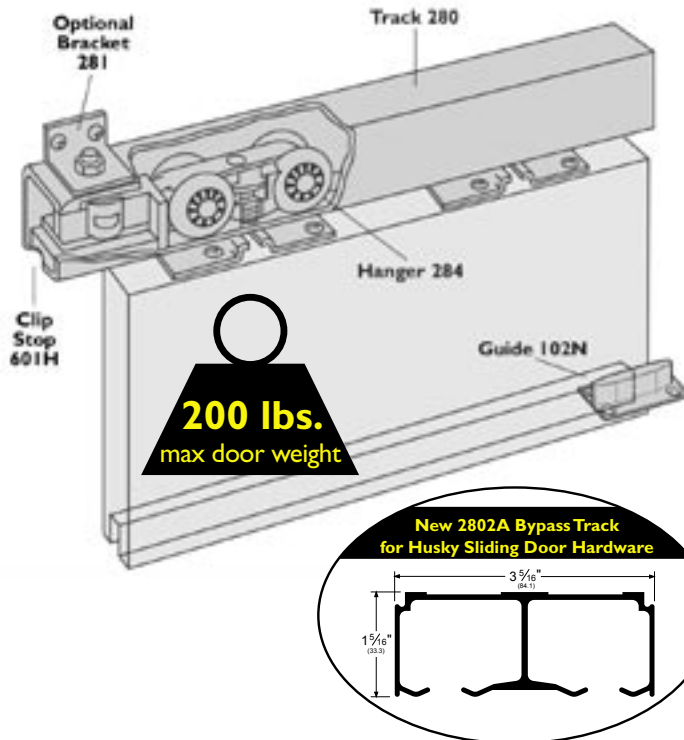


# HUSKY SLIDING 200

Reliable and highly versatile hardware using precision-made components for trouble-free operation.

FOR SLIDING WOOD OR METAL DOORS TO 200 lbs.



**KITS (complete, ready to install) include:**

- 1 ea **280 or 280A** pre-drilled track, in steel or aluminum, 6 or 8 foot lengths
- 2 ea **284** nylon bodied, needle bearing, acetal wheel hangers
- 1 ea **102N** nylon guide
- 2 ea **601H** clip stops

(Kit components can be ordered individually)

**Order KITS based on material and length of track:**

Kit No.	Material	Max Leaf Size
<b>H200/6</b>	steel track/6 ft.	96" x 36" x 2"
<b>H200/8</b>	steel track/8 ft.	96" x 48" x 2"
<b>H200A/6</b>	aluminum track/6 ft.	96" x 36" x 2"
<b>H200A/8</b>	aluminum track/8 ft.	96" x 48" x 2"

**HARDWARE PACK (no. "H200PACK") = KIT w/o track:**

- 2 ea **284** nylon bodied, needle bearing, acetal wheel hangers
- 1 ea **102N** nylon guide
- 2 ea **601H** clip stops

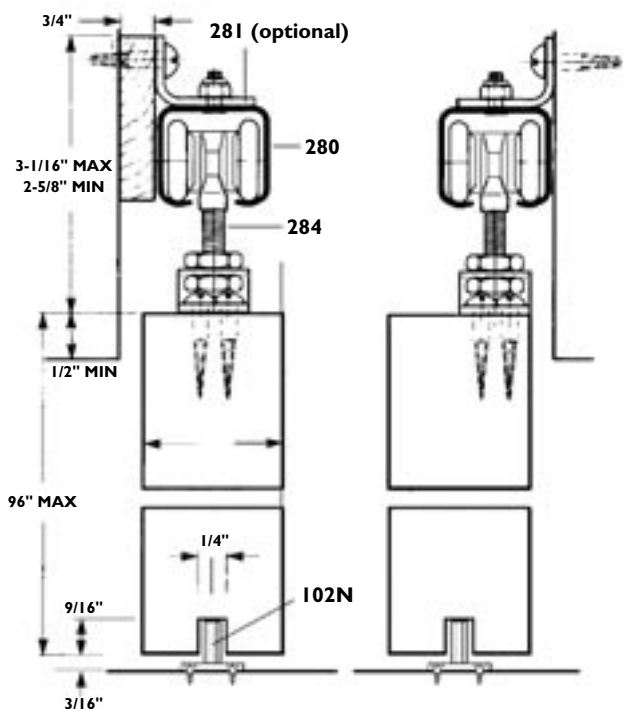
**OPTIONAL EXTRAS include:**

- |                |                          |             |   |
|----------------|--------------------------|-------------|---|
| <b>281</b>     | 281 brackets - 5 each    | <b>F134</b> | aluminum fascia - 1-3/4" thick doors                |
| <b>287</b>     | track stop (bumper type) | <b>F138</b> | aluminum fascia - 1-3/8" thick doors                |
| <b>285</b>     | hanger for metal doors   | <b>863</b>  | iron bow handle (5-1/4" x 1-3/4")                   |
| <b>106R/94</b> | roller guide (use w/94A) | <b>400</b>  | aluminum flush pull (4-1/4" x 1-7/8", 5/8" mortise) |
| <b>94A</b>     | aluminum floor channel   | <b>414</b>  | aluminum flush pull (5-1/4" x 2-1/2", 3/4" mortise) |
|                |                          | <b>333</b>  | aluminum flush bolt (6" x 1-3/8")                   |

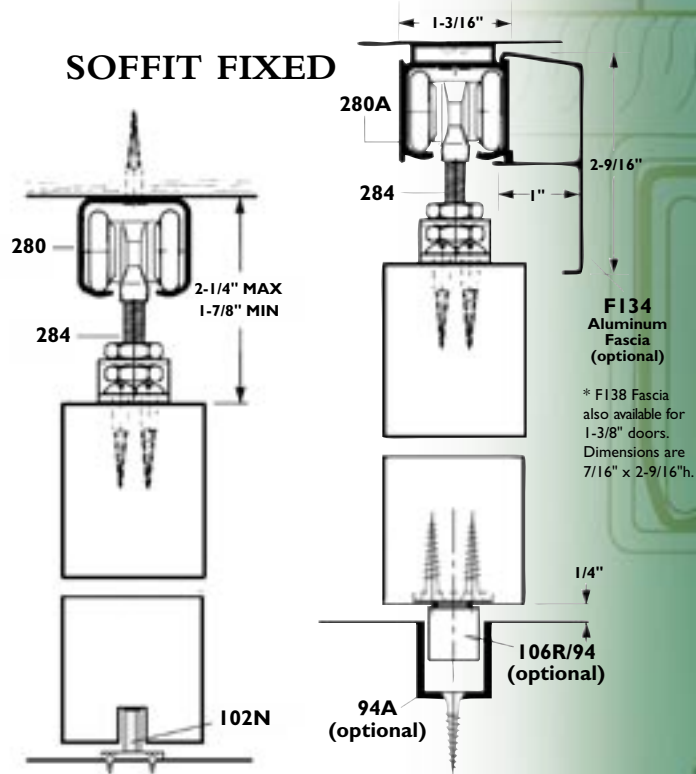
**BYPASS PACK ALSO AVAILABLE (no. "HBP200PACK")**

- aluminum fascia - 1-3/4" thick doors
- aluminum fascia - 1-3/8" thick doors
- iron bow handle (5-1/4" x 1-3/4")
- aluminum flush pull (4-1/4" x 1-7/8", 5/8" mortise)
- aluminum flush pull (5-1/4" x 2-1/2", 3/4" mortise)
- aluminum flush bolt (6" x 1-3/8")

**FACE FIXED**

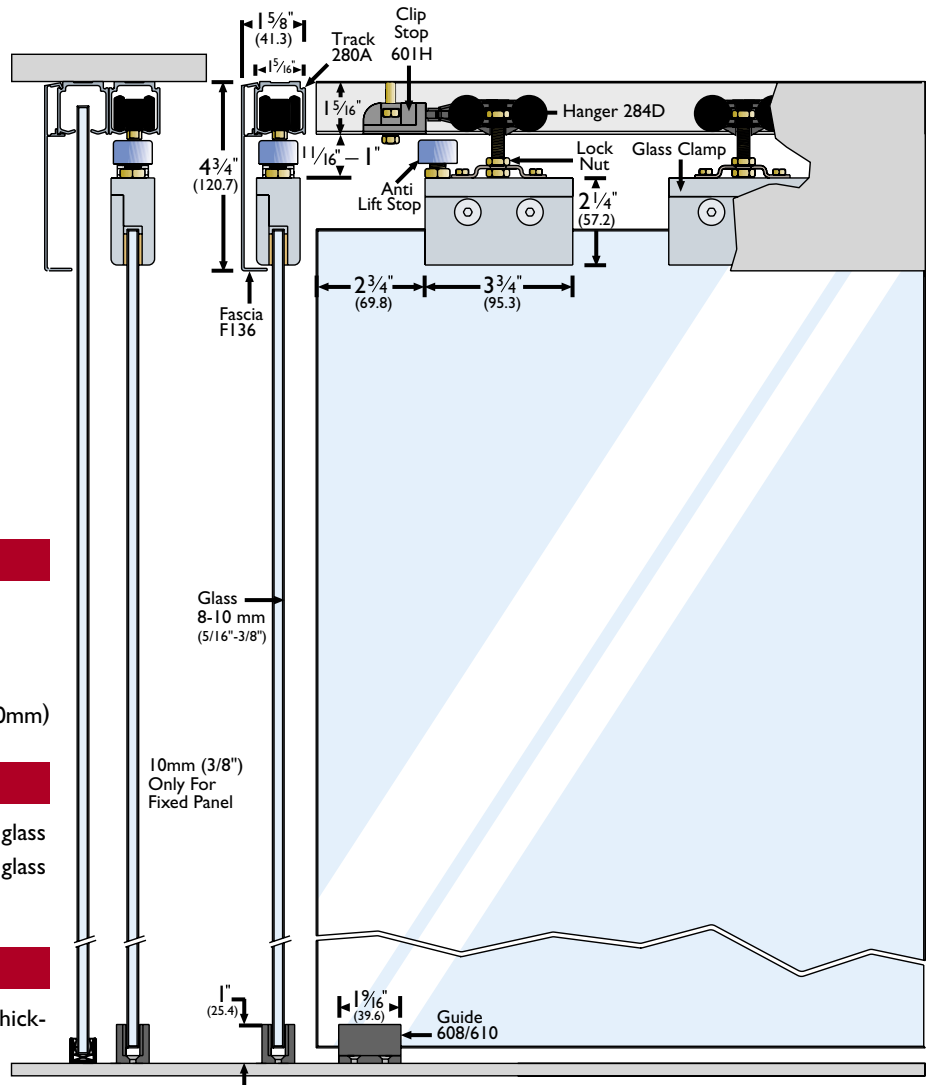


**SOFFIT FIXED**



**F134** Aluminum Fascia (optional)  
 \* F138 Fascia also available for 1-3/8" doors. Dimensions are 7/16" x 2-9/16".

# HUSKY GLASS



## CAPACITY

- Max. door weight:** 165 lbs. (75kg)
- Max. door height:** 7'10" (2400mm)
- Max. door width:** 4'1" (1250mm)
- Glass thickness:** 5/16" (8mm) and 3/8" (10mm)

## APPLICATIONS

Husky offers a solution to lightweight glass applications such as office doors and small glass partitions.

## DOOR TYPES

Glass panels of 5/16" (8mm) or 3/8" (10mm) thickness in tempered or laminated glass.

Glass Clamp kits contain: 2 hangers, 2 clamps, 2 end track stops and 2 floor mounted guides.

**Note:** When using glass clamps in combination with protective coatings for glass surfaces such as Clear Shield, ensure that the glass surface to be clamped is not treated with the Clear Shield coating.

## TECHNICAL INFORMATION

- Track:** 280A (extruded aluminum)  
Available in 6', 8', and 12' lengths
- Brackets:** Face fix 281  
5-pack 2815
- Fascias:** Soffit fixed track F136
- Glass Clamp Kits:** For glass panels from
  - 5/16" (8mm) up to 8/75/I Kit - 8mm
  - 3/8" (10mm) 10/75/I Kit - 10mm
- Guides:** 5/16" (8mm) glass panels 608 - glass guide  
3/8" (10mm) glass panels 610 - glass guide
- Accessories:** 601H retaining stop mounted within the track



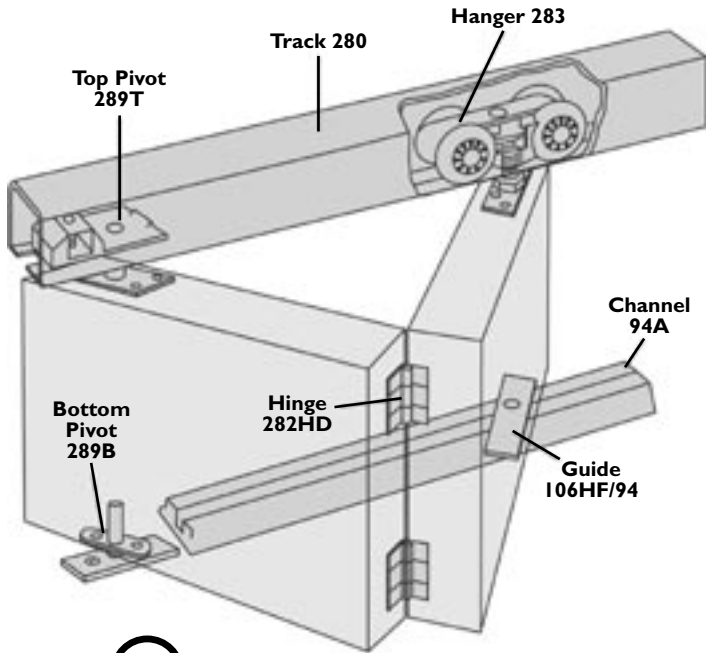
## GLASS WEIGHT

5/16" glass	3.95 lbs./sq. ft.
3/8" glass	5.05 lbs./sq. ft.

# HUSKY FOLDING 100

FOR FOLDING DOORS AND ROOM DIVIDERS TO 100 lbs.

High quality hardware makes medium weight folding doors efficient and easy-to-use. Two and four leaf kits are available.



**HF2/100 KITS (complete, ready to install) include:**

- 1 ea **280/4** or **280A/4** pre-drilled track, in steel or aluminum, 4 feet
  - 1 ea **94A/4** aluminum floor channel, 4 feet
  - 1 ea **283** nylon bodied, needle bearing, acetal wheel hanger
  - 1 ea **289T** heavy duty top pivot
  - 1 ea **289B** heavy duty bottom pivot
  - 3 ea **282HD** heavy duty butt hinges
  - 1 ea **106HF/94** roller guide (use w / 94A)
- (Kit components can be ordered individually)**

**HF4/100 KITS (complete, ready to install) include:**

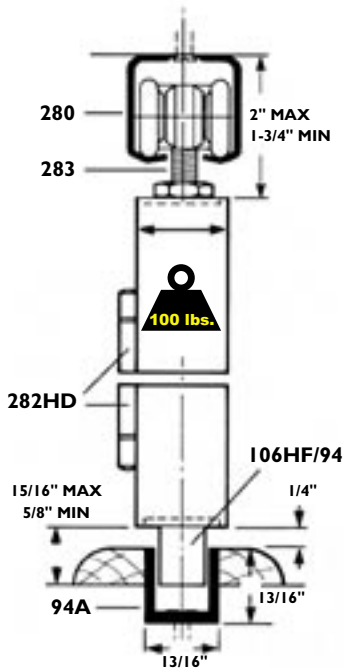
- 1 ea **280/8** or **280A/8** pre-drilled track, in steel or aluminum, 8 feet
  - 1 ea **94A/8** aluminum floor channel, 8 feet
  - 2 ea **283** nylon bodied, needle bearing acetal wheel hangers
  - 2 ea **289T** heavy duty top pivots
  - 2 ea **289B** heavy duty bottom pivots
  - 6 ea **282HD** heavy duty butt hinges
  - 2 ea **106HF/94** roller guides (use w/94A)
- (Kit components can be ordered individually)**



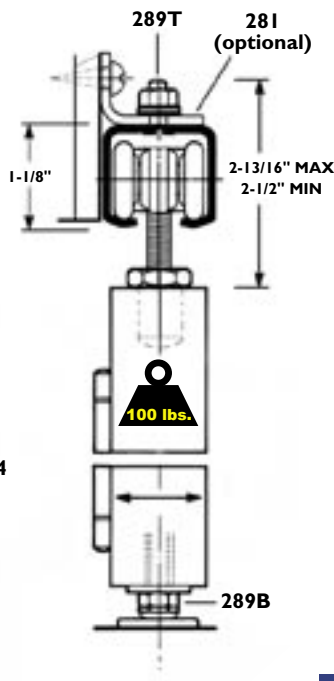
Order KITS based on material, length of track and number of leaves:

Kit No.	Track Mat'l / Length	Max Door Leaf Size	Max Opening	No. of Leaves	Door Leaf Thickness
<b>HF2/100/4</b>	steel/4 ft.	96" H x 24" W	48"	2	13/16" - 1-3/4"
<b>HF2/100A/4</b>	aluminum/4 ft.	96" H x 24" W	48"	2	13/16" - 1-3/4"
<b>HF4/100/8</b>	steel/8 ft.	96" H x 24" W	96"	4	13/16" - 1-3/4"
<b>HF4/100A/8</b>	aluminum/8 ft.	96" H x 24" W	96"	4	13/16" - 1-3/4"

**SOFFIT FIXED**



**FACE FIXED**



**HARDWARE PACK (no. "HF2/100PACK") = KIT w/o track:**

- 1 ea **283** nylon bodied, needle bearing, acetal wheel hanger
- 1 ea **289T** heavy duty top pivot
- 1 ea **289B** heavy duty bottom pivot
- 3 ea **282HD** heavy duty butt hinges
- 1 ea **106HF/94** roller guide (use w/94A)

**(For 4 leaf configurations, order 2 each of the above hardware pack HF2/100PACK)**

**OPTIONAL EXTRAS include:**

- 2815** 281 brackets - 5 each
- 400** aluminum flush pull (4-1/4" x 1-7/8")
- 333** aluminum flush bolt (6" x 1-3/8")